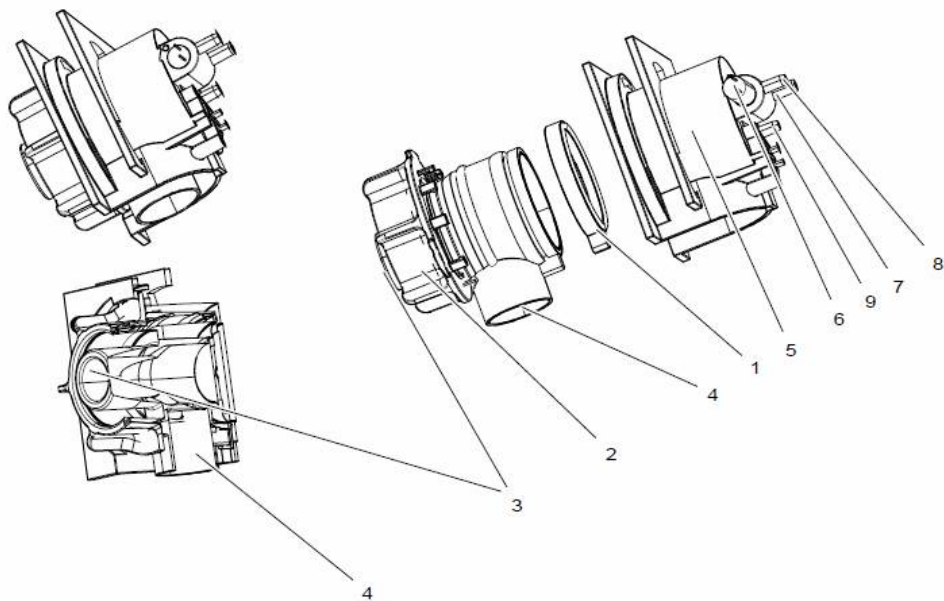


Expiratory Valve Overview



- 1 Silicon membrane
- 2 Expiratory valve cover
- 3 Connection from the patient breathing circuit (expired gas from the patient)
- 4 Expiratory valve exhaust
- 5 Expiratory valve housing
- 6 Expiratory proportional valve
- 7 Tube connector from inspiration path
- 8 Expiratory proportional valve exhaust to bottom cover (release to room air)
- 9 Tube connector to pressure sensor Pexpvalve (pressure sensor board)