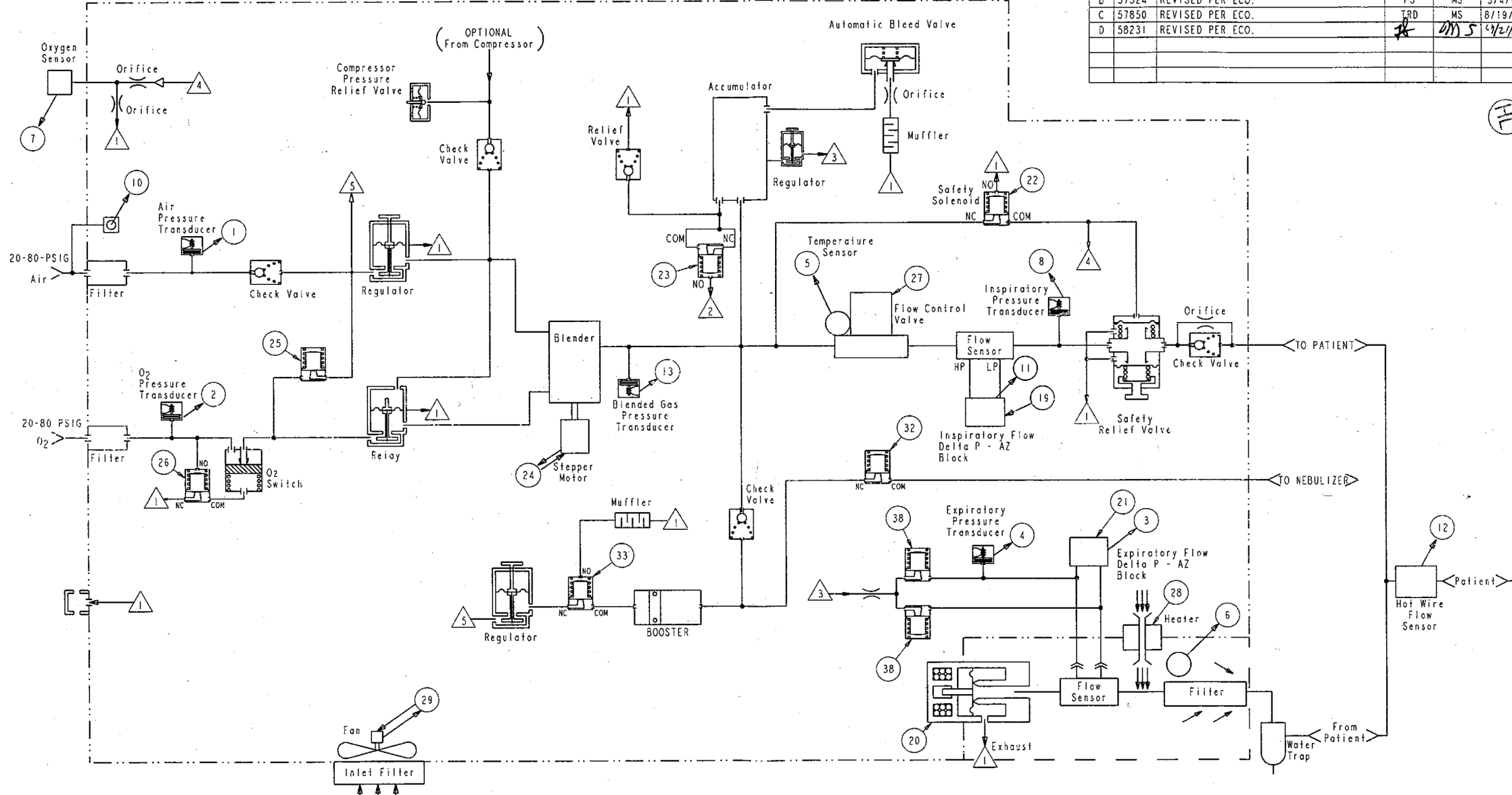


THIS DOCUMENT IS THE COPYRIGHTED PROPERTY OF VIASYS HEALTHCARE - CRITICAL CARE DIVISION AND MAY NOT BE REPRODUCED WITHOUT WRITTEN PERMISSION OR USED FOR OTHER THAN VIASYS HEALTHCARE - CRITICAL CARE DIVISION AUTHORIZED PURPOSES.

FOR REFERENCES SEE SHEET 4.

REVISION HISTORY					
REV	ECO NO.	DESCRIPTION	DRAFTING	APPROVED	DATE
XI	57034	PILOT RELEASE PER ECO.	FS	MS	10/09/01
A	57367	PRODUCTION RELEASED PER ECO.	FS	MS	01/10/02
B	57524	REVISED PER ECO.	FS	MS	3/4/02
C	57850	REVISED PER ECO.	TRD	MS	8/19/02
D	58231	REVISED PER ECO.		MS	4/2/02



UNLESS OTHERWISE SPECIFIED:		APPROVALS		DATE
A. DIMENSIONS ARE IN INCHES.		DRAWN	F. SMITH	04/13/99
B. TOLERANCES		CHECKED	M. SANELL	10/09/01
.X ± .1		APPROVED	S. GLUKHOV	10/09/01
.XX ± .02				
.XXX ± .005				
ANG ± 1°00'				
C. MACHINED SURFACES ✓ OR BETTER				
D. CORNER FILLETS & RADIUS .005-.010				
E. DEBURR EDGES .005-.020				
F. CHAMFER FIRST & LAST THREAD BY 45°				
G. INTERPRET PER ANSI 114.5M-1982		RELEASED	J. NELSON	10/30/01

		TITLE	
		SCHEMATIC DIAGRAM, PNEUMATIC, AVEA	
SIZE	REV NO.	SCALE	DO NOT SCALE DRAWING
D	51000-09742	NONE	
REV	D	SHEET 1 OF 4	

CRITICAL	COMPONENT	DEVICE	TRACEABLE	SERIAL NO.	LOT NO.