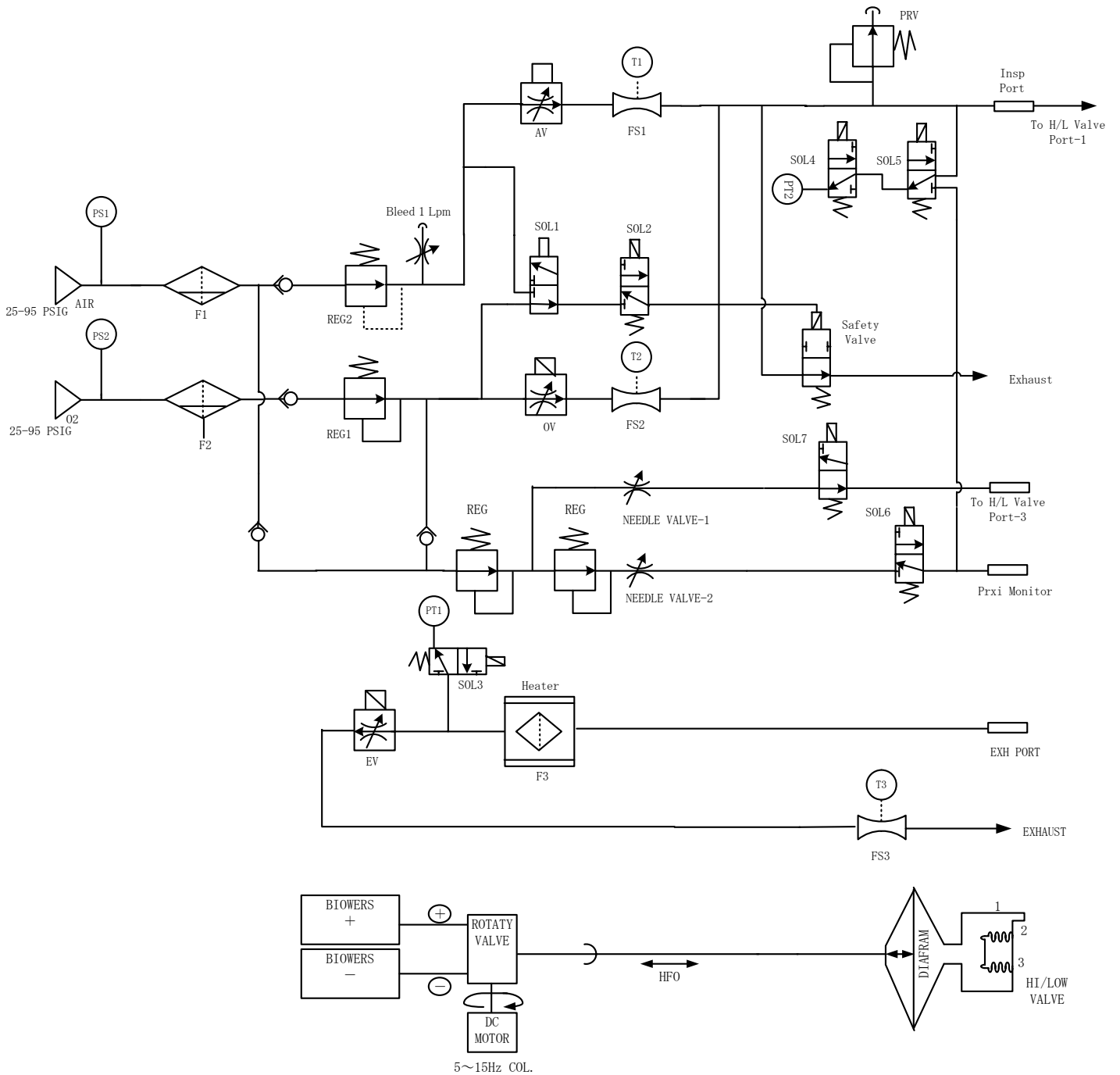


R100 Gas Line

0302 Rev 06



Item	DE	Description	Item	Description	Item	Description
Sol 1	O ₂	Cross Over O ₂ / Air	F1	Air Membrane Dryer	REG1	O ₂ Pressure Regulator
Sol 2	Open	SV Open/ Close	F2	O ₂ Filter	REG2	Air Pressure Regulator
Sol 3	PT1	Exh PT Calibration PT1 / Open	F3	Exhalation Filter	FS1	Air Flow Sensor
Sol 4	PT2	Insp PT Calibration PT2 / Open	AV	Air valve	FS2	O ₂ Flow Sensor
Sol 5	Insp	PT Switching Insp / Proxi	OV	Oxygen Valve	FS3	Exhalation Flow Sensor
Sol 6	Off	Proxi Purge On / Off	EV	Exhalation Valve	PS1	Air Pressure Switch
Sol 7	Close	HL Valve Open / Close	PT1	Exh Pressure Transducer	PS2	O ₂ Pressure Switch
CV		One Way Flow Valve	PT2	Insp/Proxi Pressure Transducer	SV	Safety Valve
					PRV	Pressure Relief Valve