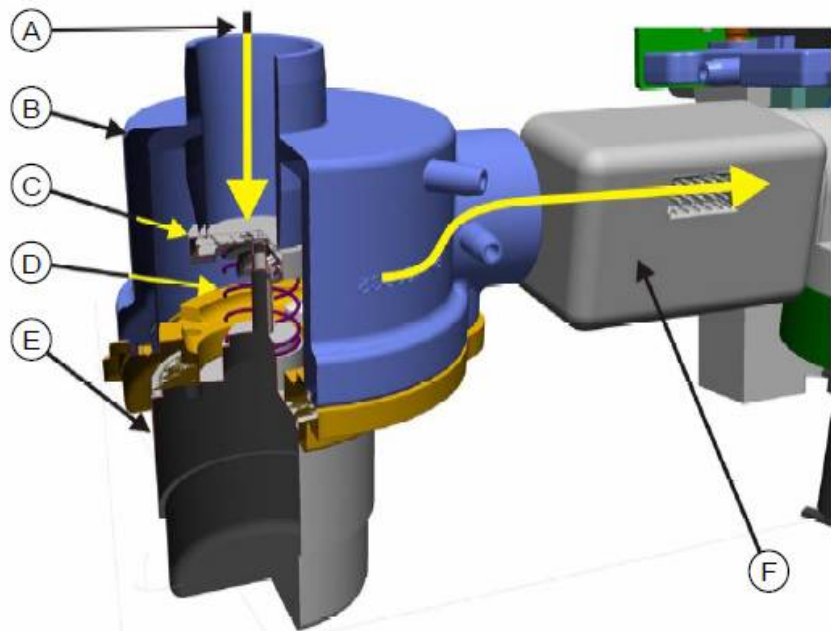
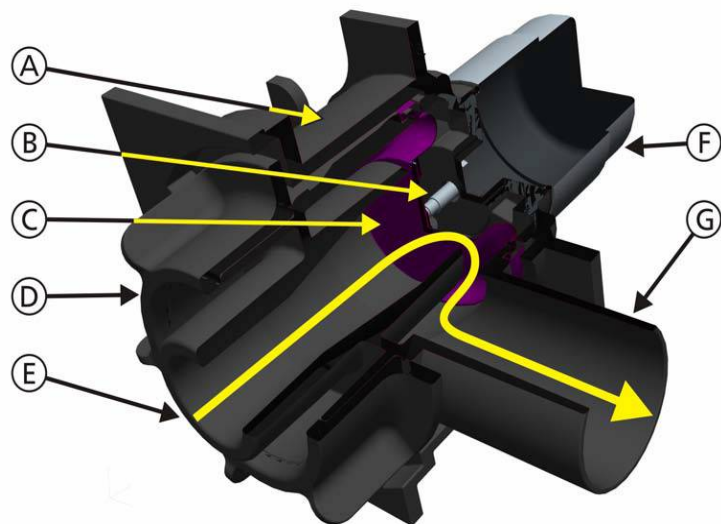


Inspiratory Valve Overview



- A The Air/Oxygen Mixture from the Blower Assembly
- B Inspiratory Valve
- C Control Valve
- D Pressure Spring
- E Inspiratory Valve Voice Coil Assembly
- F Qvent Flow Sensor

Expiratory Valve Overview



- A Expiratory Valve Assembly
- B Plunger
- C Silicon Membrane
- D Inlet connection from the Patient Breathing Circuit
- E Expired gas from the Patient Breathing Circuit
- F Expiratory Valve Voice Coil Assembly
- G Expiratory Valve Exhaust